

REVISIONS			
REV	DESCRIPTION	DATE	APPROVED
A	CORRECTED NOTE CALLOUT	6/30/11	R.L.

- NOTES:
- 1) THE PRODUCT SHOWN HEREIN IS DESIGNED AND MANUFACTURED TO COMPLY WITH REQUIREMENTS OF THE FLORIDA BUILDING CODE.
 - 2) WOOD FRAMING AND MASONRY OPENING TO BE DESIGNED AND ANCHORED TO PROPERLY TRANSFER ALL LOADS TO STRUCTURE. FRAMING AND MASONRY OPENING IS THE RESPONSIBILITY OF THE ARCHITECT OR ENGINEER OF RECORD.
 - 3) ALLOWABLE STRESS INCREASE OF 1/3 WAS NOT USED IN THE DESIGN OF THE PRODUCT SHOWN HEREIN. WIND LOAD DURATION FACTOR $C_d=1.6$ WAS USED FOR WOOD ANCHOR CALCULATIONS.
 - 4) PANEL MATERIAL: CORRUGATED POLYCARBONATE
 - 5) FOR ANCHORING INTO WOOD FRAMING OR 2X BUCK USE #14 WOOD SCREW WITH SUFFICIENT LENGTH TO ACHIEVE A 2 1/2" MINIMUM EMBEDMENT INTO SUBSTRATE. LOCATE ANCHORS AS SHOWN IN ELEVATIONS AND INSTALLATION DETAILS.
 - 6) FOR ANCHORING INTO MASONRY/CONCRETE USE 1/4" ITW TAPCONS WITH SUFFICIENT LENGTH TO ACHIEVE A 1 3/4" MINIMUM EMBEDMENT INTO SUBSTRATE WITH 2 5/8" MINIMUM EDGE DISTANCE. LOCATE ANCHORS AS SHOWN IN ELEVATIONS AND INSTALLATION DETAILS.
 - 7) FOR ANCHORING INTO BRICK VENEER USE PANELMATE TVAS WITH 2 5/8" MINIMUM EMBEDMENT. LOCATE ANCHORS AS SHOWN IN ELEVATIONS AND INSTALLATION DETAILS.
 - 8) ALL FASTENERS TO BE CORROSION RESISTANT.
 - 9) INSTALLATION ANCHORS SHALL BE INSTALLED IN ACCORDANCE WITH ANCHOR MANUFACTURER'S INSTALLATION INSTRUCTIONS, AND ANCHORS SHALL NOT BE USED IN SUBSTRATES WITH STRENGTHS LESS THAN THE MINIMUM STRENGTH SPECIFIED BELOW:
 - A. WOOD - MINIMUM SPECIFIC GRAVITY OF $G=0.5$
 - B. CONCRETE - MINIMUM COMPRESSIVE STRENGTH OF 3,192 PSI.
 - C. MASONRY - STRENGTH CONFORMANCE TO ASTM C-90, GRADE N, TYPE 1 (OR GREATER).
 - 10) INSIDE WIND ZONES 1, 2 AND 3 SEPARATION FROM GLASS IS NOT REQUIRED. INSIDE WIND ZONE 4 SEPARATION FROM GLASS MUST BE 5 1/4" MINIMUM.

STORM SHUTTER TYPE D
EXTERIOR VIEW

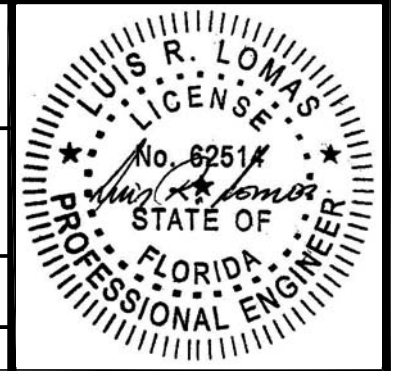
DESIGN PRESSURE RATING	IMPACT RATING
±60.0PSF	LARGE AND SMALL MISSILE IMPACT

SIGNED: 06/30/2011

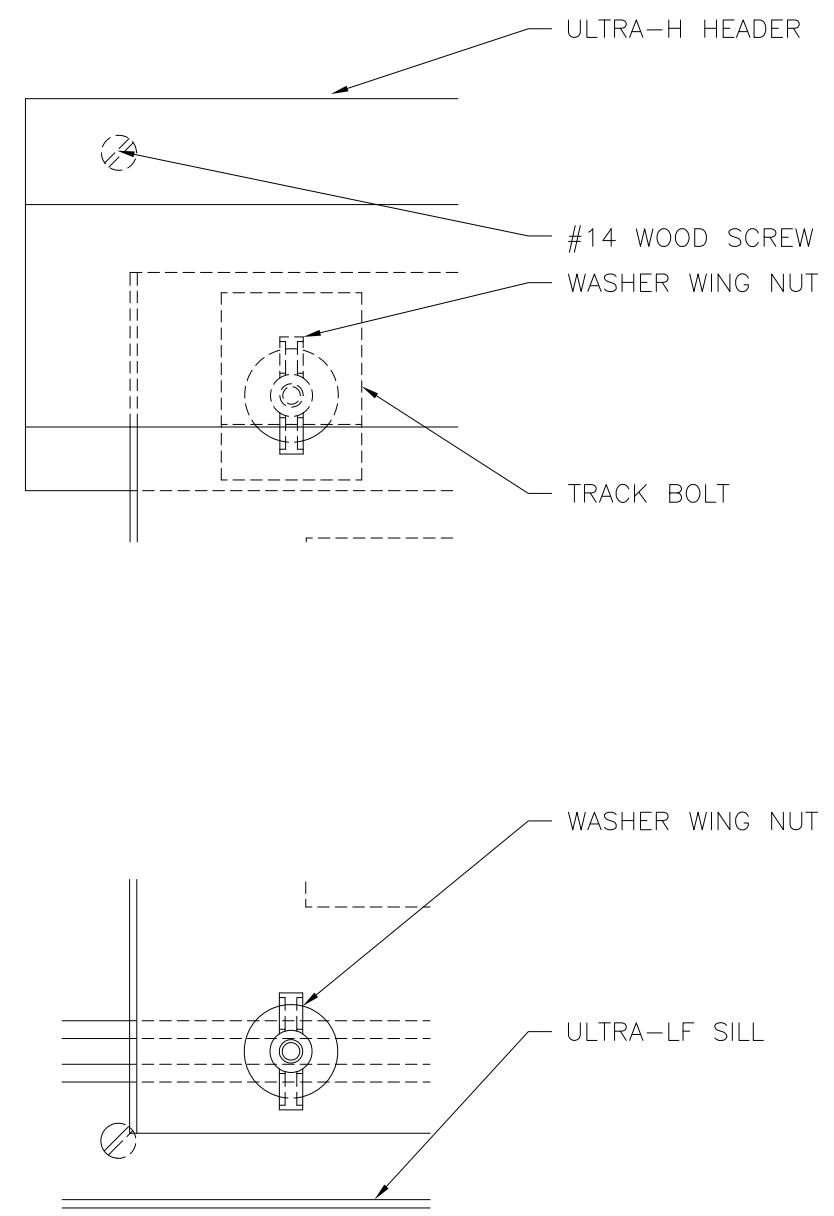
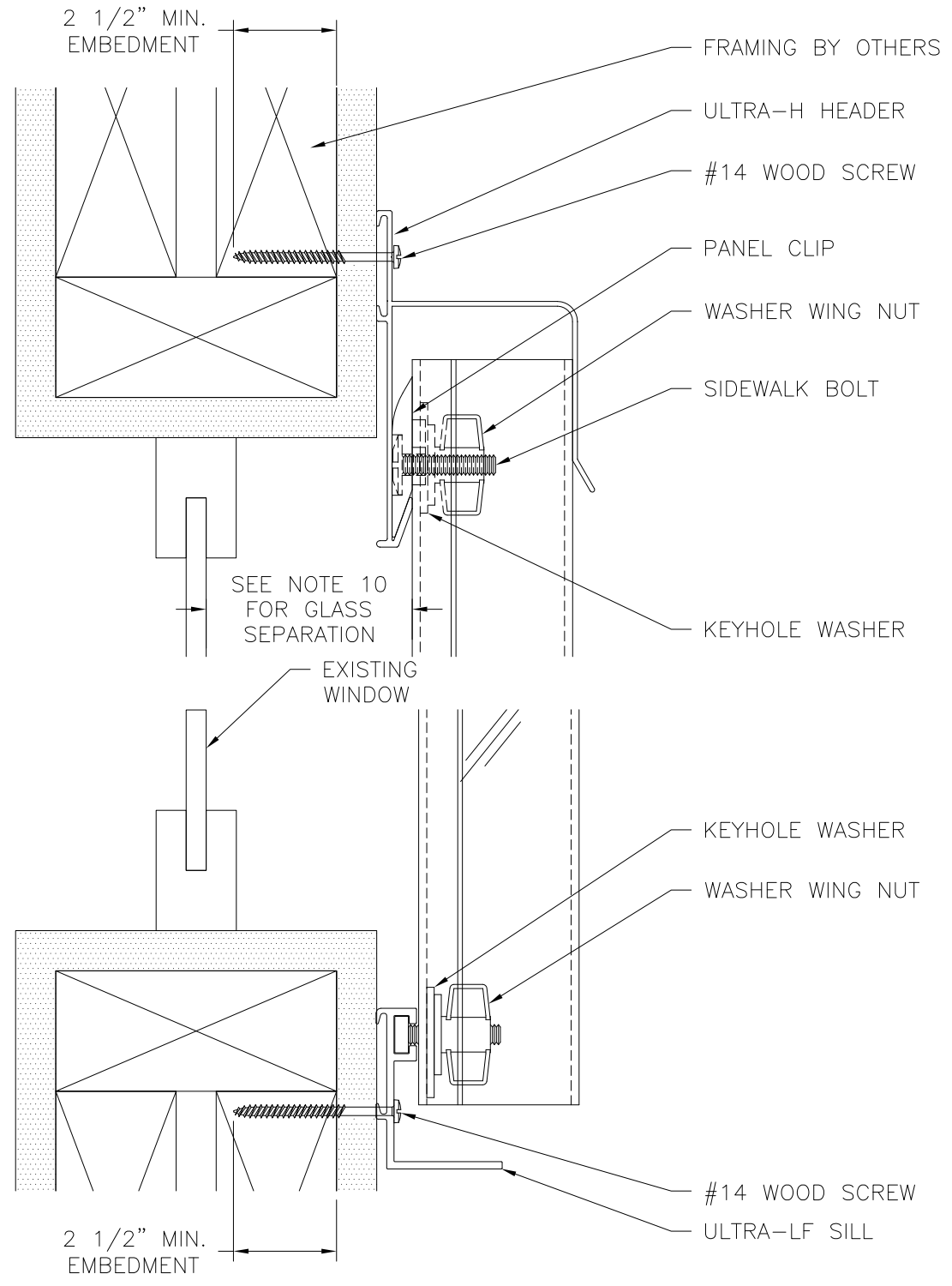
VUSAFE INDUSTRIES, LLC
350 KIDDS HILL ROAD
HYANNIS, MA 02601

STORM SHUTTER TYPE D
86" HEIGHT
ELEVATION AND NOTES

DRAWN: R.L.	DWG NO. 08-01262	REV A
SCALE NTS	DATE 06/20/11	SHEET 1 OF 4



REVISIONS			
REV	DESCRIPTION	DATE	APPROVED
A	CORRECTED NOTE CALLOUT	6/30/11	R.L.

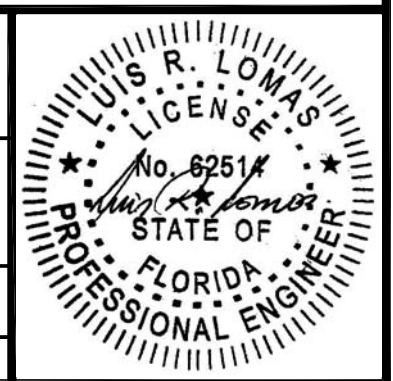


VERTICAL CROSS SECTION
 WOOD FRAMING INSTALLATION
 PANEL TO OVERLAP OPENING
 2 1/4" MIN. AT HEAD AND SILL

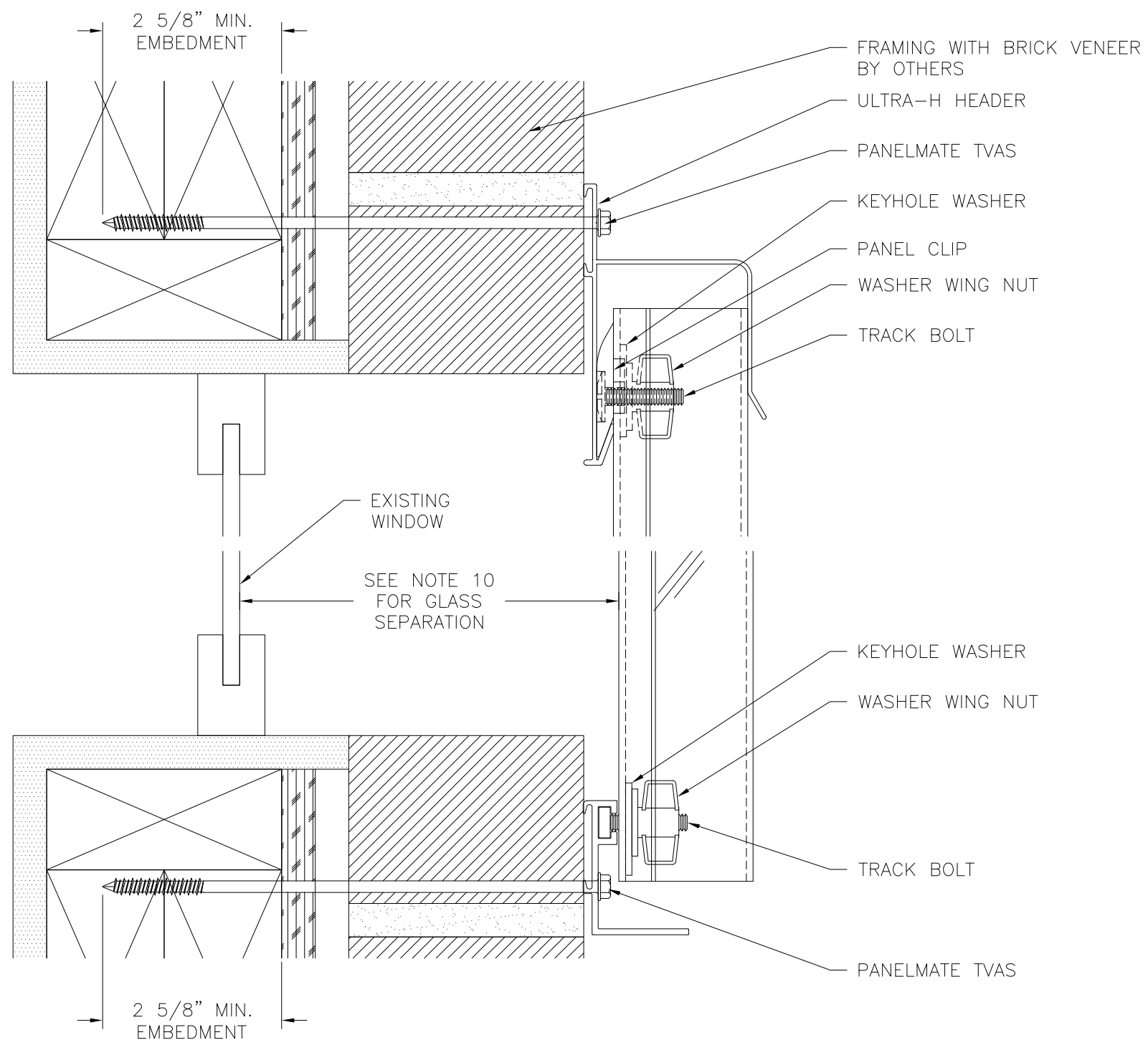
VUSAFE INDUSTRIES, LLC
 350 KIDDS HILL ROAD
 HYANNIS, MA 02601

STORM SHUTTER TYPE D
 86" HEIGHT
 INSTALLATION DETAILS

DRAWN: R.L.	DWG NO. 08-01262	REV A
SCALE NTS	DATE 06/20/11	SHEET 2 OF 4



REVISIONS			
REV	DESCRIPTION	DATE	APPROVED
A	CORRECTED NOTE CALLOUT	6/30/11	R.L.

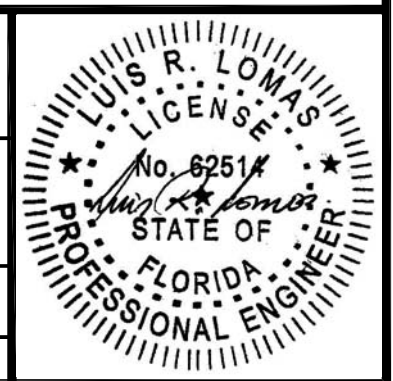


VERTICAL CROSS SECTION
 BRICK VENEER INSTALLATION
 PANEL TO OVERLAP OPENING
 2 1/4" MIN. AT HEAD AND SILL

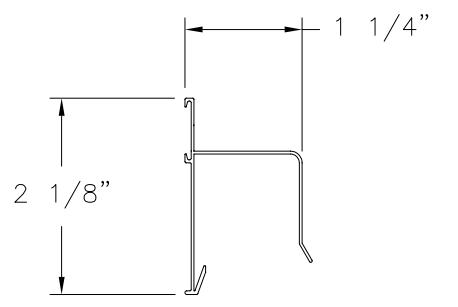
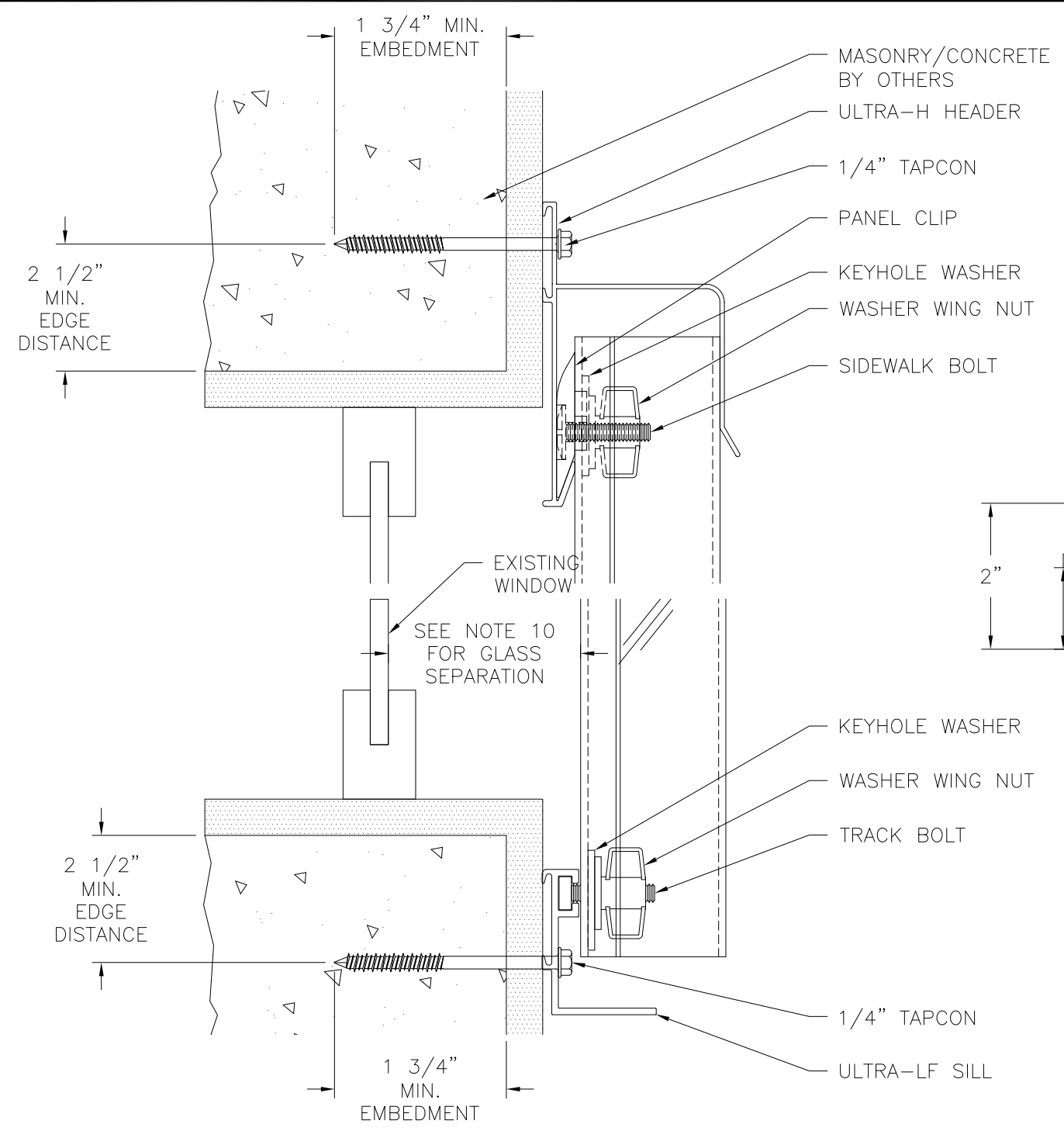
VUSAFE INDUSTRIES, LLC
 350 KIDDS HILL ROAD
 HYANNIS, MA 02601

STORM SHUTTER TYPE D
 86" HEIGHT
 INSTALLATION DETAILS

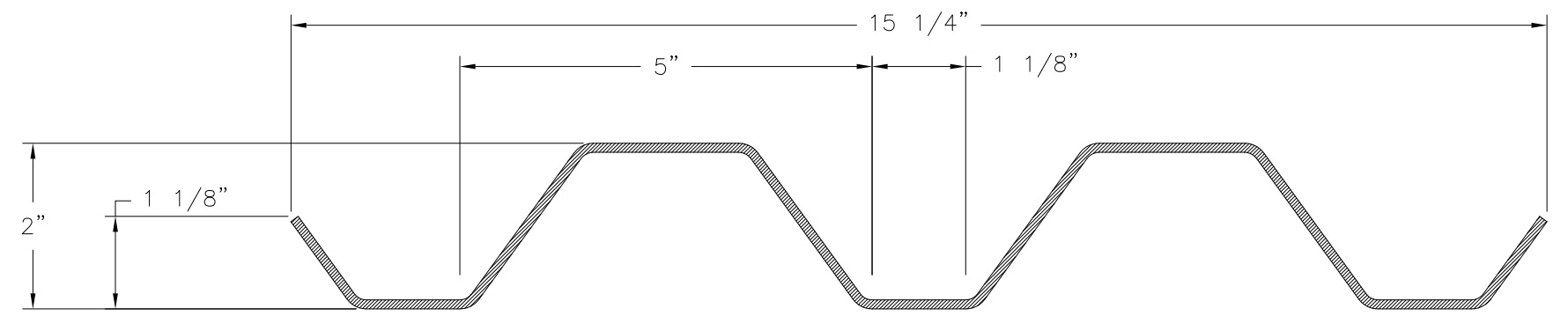
DRAWN: R.L.	DWG NO. 08-01262	REV A
SCALE NTS	DATE 06/20/11	SHEET 3 OF 4



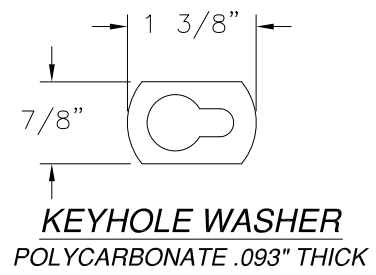
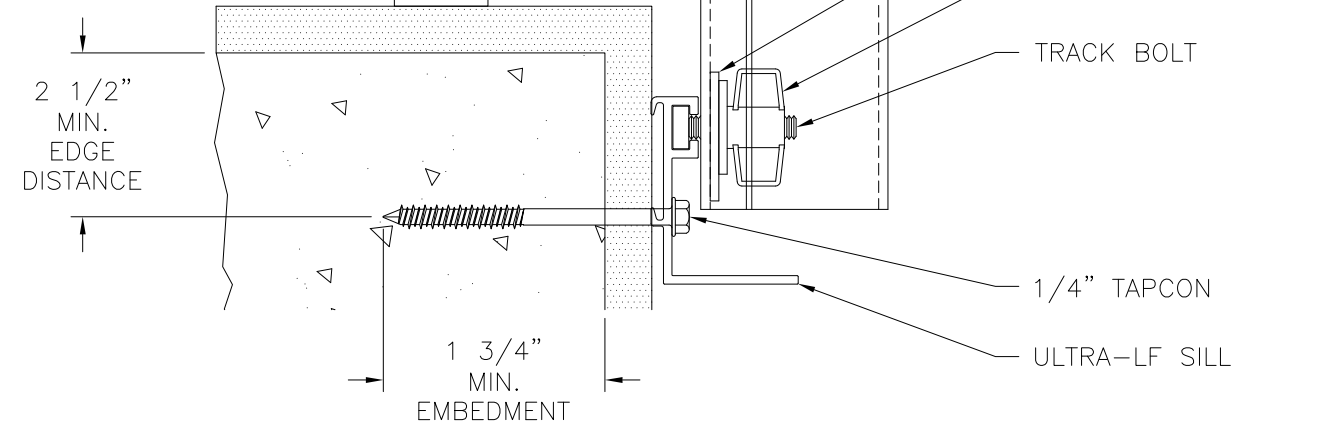
REVISIONS			
REV	DESCRIPTION	DATE	APPROVED
A	CORRECTED NOTE CALLOUT	6/30/11	R.L.



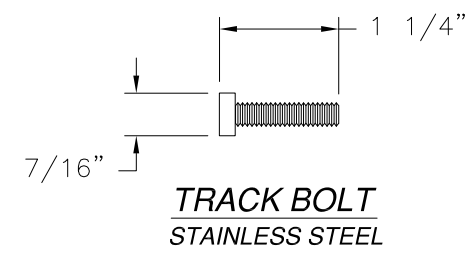
ULTRA-H HEADER
ALUMINUM 6063-T6



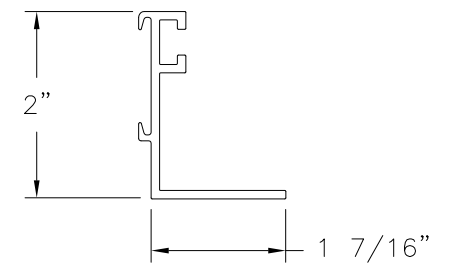
VUSAFE PANEL
SYNTHETIC THERMOPLASTIC POLYMERMAKROLONRESIN
FY: 9.43KSI



KEYHOLE WASHER
POLYCARBONATE .093\"/>

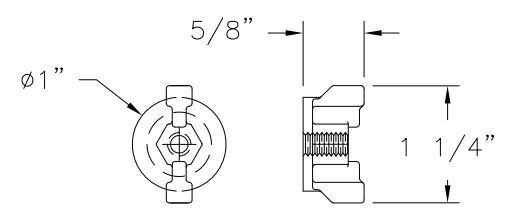


TRACK BOLT
STAINLESS STEEL

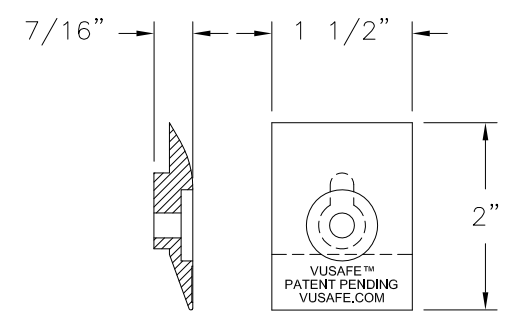


ULTRA-LF SILL
ALUMINUM 6063-T6 .090\"/>

VERTICAL CROSS SECTION
MASONRY/CONCRETE INSTALLATION
PANEL TO OVERLAP OPENING
2 1/4\"/>



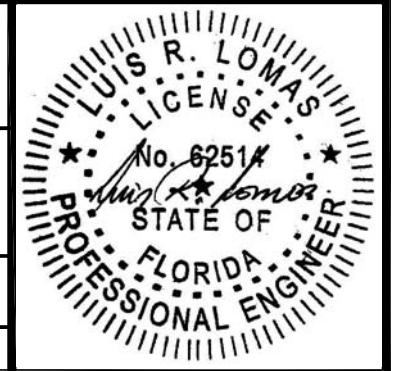
WASHER WING NUT
STAINLESS STEEL



PANEL CLIP
POLYCARBONATE OR
30% FIBER FILLED NYLON

VUSAFE INDUSTRIES, LLC
350 KIDDS HILL ROAD
HYANNIS, MA 02601

STORM SHUTTER TYPE D
86\"/>



DRAWN: R.L.	DWG NO. 08-01262	REV A
SCALE NTS	DATE 06/20/11	SHEET 4 OF 4